

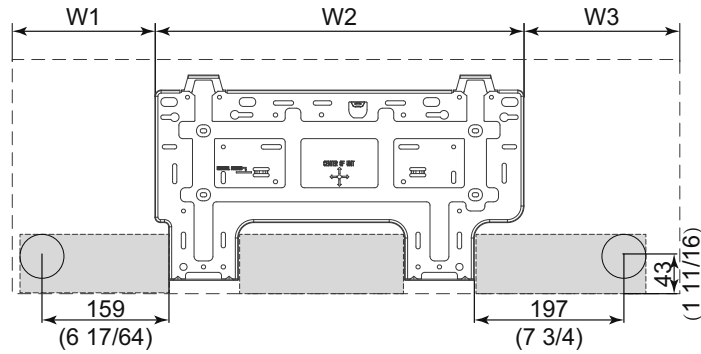
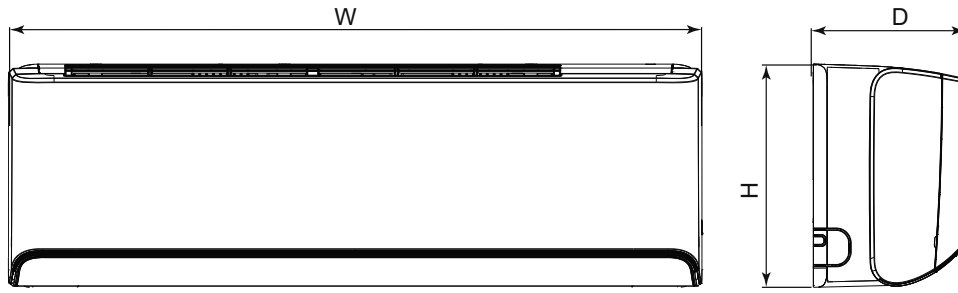
Model	-	GWH12AVCXD-K6DNA1A	
Product Code	-	CB601000100/CB601000104	CB601000101/CB601000105
Power Supply	Rated Voltage	V~	220-240
	Rated Frequency	Hz	50
	Phases	-	1
Power Supply Mode	-	Outdoor	
Cooling Capacity	W	3500	
Heating Capacity	W	3810	
Cooling Power Input	W	875	
Heating Power Input	W	952	
Cooling Power Current	A	4.18	
Heating Power Current	A	4.55	
Rated Input	W	1800	
Rated Cooling Current	A	7.32	
Rated Heating Current	A	8.24	
Air Flow Volume	m ³ /h	720/600/550/470/420/380/310/180	
Dehumidifying Volume	L/h	1.4	
EER	W/W	4	
COP	W/W	4	
SEER	-	8.5	
SCOP (Average/Warmer/Colder)	-	4.6/5.6/3.6	
Application Area	m ²	16-24	
Indoor Unit	Model of indoor unit	-	GWH12AVCXD-K6DNA1A/I
	Indoor Unit Product Code	-	CB601N00100/CB601N00104 CB601N00100/CB601N00104
	Fan Type	-	Cross-flow
	Fan Diameter Length(DXL)	mm	Φ94×630
	Cooling Speed	r/min	1450/1200/1120/1050/980/920/750/500
	Heating Speed	r/min	1450/1200/1140/1080/1020/960/900
	Fan Motor Power Output	W	15
	Fan Motor RLA	A	0.22
	Fan Motor Capacitor	μF	/
	Evaporator Form	-	Aluminum Fin-copper Tube
	Evaporator Pipe Diameter	mm	Φ5
	Evaporator Row-fin Gap	mm	2-1.3
	Evaporator Coil Length (LXDXW)	mm	634×22.8×266.7
	Swing Motor Model	-	MP24HF / MP24AQ / MP35CV
	Swing Motor Power Output	W	1.5 / 1.5 / 2.5
	Fuse Current	A	3.15
	Sound Pressure Level	dB (A)	Cooling: 44/38/36/34/31/29/25/19 Heating: 44/39/37/36/34/31/29
	Sound Power Level	dB (A)	Cooling: 60/52/50/48/45/43/39/33 Heating: 60/53/51/50/48/45/43
	Dimension (WXHXD)	mm	907X292X200
	Dimension of Carton Box (LXWXH)	mm	959X355X262
Dimension of Package (LXWXH)	mm	965X371X273	
Net Weight	kg	10.5	
Gross Weight	kg	12.5	

Outdoor Unit	Outdoor Unit Model	-	GWH12AVCXD-K6DNA1A/O		
	Outdoor Unit Product Code	-	CB601W00100	CB601W00101	
	Compressor Manufacturer	-	ZHUHAI LANDA COMPRESSOR CO., LTD.		
	Compressor Model	-	QXF-A098zE170		
	Compressor Oil	-	ZE-GLES RB68GX or equivalent		
	Compressor Type	-	Rotary		
	Compressor L.R.A.	A	18		
	Compressor RLA	A	3.9		
	Compressor Power Input	W	847		
	Compressor Overload Protector	-	/		
	Throttling Method	-	Electron expansion valve		
	Set Temperature Range	°C	16~30		
	Cooling Operation Ambient Temperature Range	°C	-15~50		
	Heating Operation Ambient Temperature Range	°C	-25~30	-15~30	
	Condenser Form	-	Aluminum Fin-copper Tube		
	Condenser Pipe Diameter	mm	Φ7		
	Condenser Rows-fin Gap	mm	2-1.4		
	Condenser Coil Length (LXD _{XW})	mm	761.5×38.1×528		
	Fan Motor Speed	rpm	850		
	Fan Motor Power Output	W	30		
	Fan Motor RLA	A	0.4		
	Fan Motor Capacitor	μF	/		
	Outdoor Unit Air Flow Volume	m ³ /h	2200		
	Fan Type	-	Axial-flow		
	Fan Diameter	mm	Φ420		
	Defrosting Method	-	Automatic Defrosting		
	Climate Type	-	T1		
	Isolation	-	I		
	Moisture Protection	-	IPX4		
	Permissible Excessive Operating Pressure for the Discharge Side	MPa	4.3		
	Permissible Excessive Operating Pressure for the Suction Side	MPa	2.5		
	Sound Pressure Level	dB (A)	53		
	Sound Power Level	dB (A)	64		
Dimension(WXHXD)	mm	802X555X350			
Dimension of Carton Box (LXWXH)	mm	869X395X594			
Dimension of Package(LXWXH)	mm	872X398X620			
Net Weight	kg	30			
Gross Weight	kg	32.5			
Refrigerant	-	R32			
Refrigerant Charge	kg	0.8			
Connection Pipe	Connection Pipe Length	m	5		
	Connection Pipe Gas Additional Charge	g/m	16		
	Outer Diameter Liquid Pipe	inch	1/4		
	Outer Diameter Gas Pipe	inch	3/8		
	Max Distance Height	m	10		
	Max Distance Length	m	20		
Note: The connection pipe applies metric diameter.					

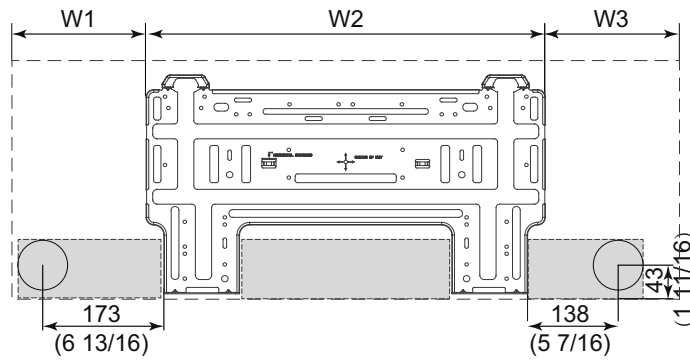
The above data is subject to change without notice. Please refer to the nameplate of the unit.

3. Outline Dimension Diagram

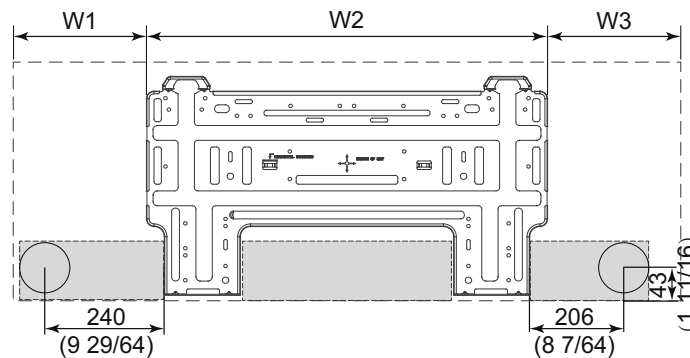
3.1 Indoor Unit



AVC



AVD



AVE

Unit: mm(inch)

Unit: mm

Model	W	H	D	W1	W2	W3
AVC	907	292	200	216	462	229
AVD	970	347	257	205.3	561.5	203.2
AVE	1110	347	257	275.4	561.5	273.1

